

HERG-ÖT

design Luigi Brembilla

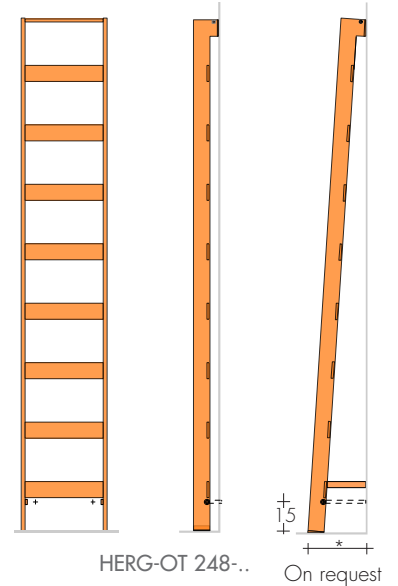
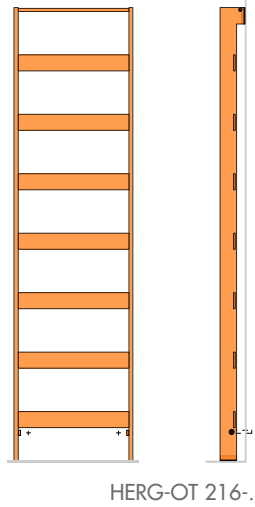
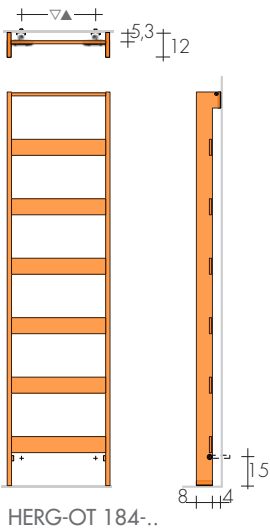
Straight, compact, thick steel fins stress the squareness of the wall and create an essential heated towel rail full of character. HERG-ÖT is reminiscent of the iconic

form of a ladder and can be fitted either perpendicular to the wall or at a slight angle. The parallel tubes (crosswise and

flat) provide comfort and warm to the bathroom, at the same time acting as a casual hook for clothes, towelling robes and towels.

DIMENSIONS

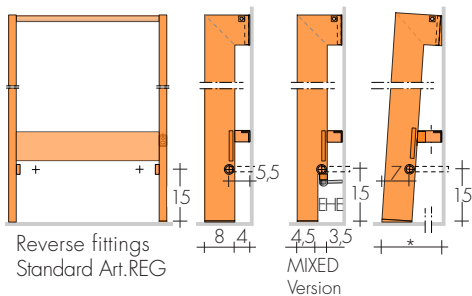
Width: 42 / 50 / 58 cm
 Height: 184 / 216 / 248 cm
 Depth: 12 cm
 Depth from wall: 12 cm



MODEL	HL cm	white sablé standard €	EN 442 Δt 50 K watt	▲ ▽ t.c. cm	Height H (H ₁) cm	Width L cm	Weight M Kg	Volume V dm ³	MIXED VERSION class II E.H.E. with sleeve VV €	
									650	109,90
HERG-ÖT	184-42	769,40	625	27	184	42	11,5	6,0	650	109,90
HERG-ÖT	184-50	786,50	669	35	184	50	12,3	6,3	650	109,90
HERG-ÖT	184-58	814,40	713	43	184	58	13,0	6,5	650	109,90
HERG-ÖT	216-42	880,40	735	27	216	42	13,5	7,1	650	109,90
HERG-ÖT	216-50	899,20	787	35	216	50	14,4	7,3	800	113,90
HERG-ÖT	216-58	931,10	840	43	216	58	15,3	7,6	800	113,90
HERG-ÖT	248-42	983,90	845	27	248	42	15,6	8,1	800	113,90
HERG-ÖT	248-50	1004,10	906	35	248	50	16,6	8,4	900	117,00
HERG-ÖT	248-58	1039,10	966	43	248	58	17,6	8,7	900	117,00

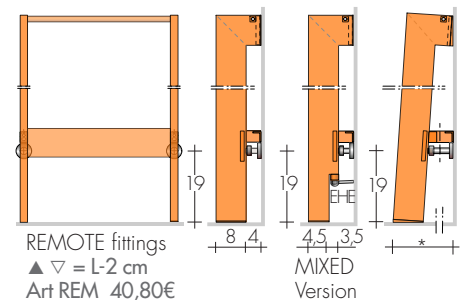
• Brem reverse valves

Digital Thermostat p.243



*On request:
 ANGLED HERG-ÖT
 Art. HOI 84,00€

Herg-öt 184:*24 cm
 Herg-öt 216:*26 cm
 Herg-öt 248:*28 cm



STANDARD PRODUCTION

White "sablé" paintwork - White fixings Art131
 Tolerance ± 3mm - Air vent ø 1/8"
 MAXIMUM OPERATING PRESSURE 4 BAR

PRODUCTION ON REQUEST

Paintwork to Brem color list (colored brackets Art. 131V) +15/25%
 Special fittings, page 292, 293

STANDARD FITTING

REG ø 3/8"
 BREM valves, page 294
 Electric version e.Herg-öt, p.268

